



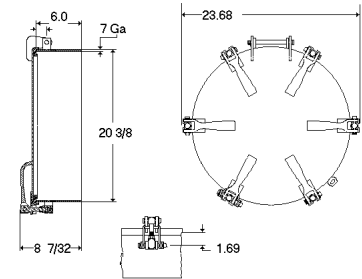
MJ 20" Full opening pressure manway / quick access inspection door - up to 18 PSI

Cover Material Contact / External	Weld Ring	Gasket	Vent	Replacement Gasket
1 Steel/Plated	0 None	1 Buna N	0 No Vent	4683
2 SS304 / Plated	1 6" x 3/16" Steel	2 White Neoprene		4684
3 SS316 / Plated	2 6" x 3/16" SS304			
4 SS304 / SS304	3 6" x 3/16" SS316			
5 SS316 / SS304				

Applications: General purpose access door for non-code applications ≤ 18 PSI
Locations: Conveyors, elevator legs, hoppers, silos, spouting, storage tanks and more
Features: 6 quick-opening adjustable cam levers; safety catch helps prevent accidents when opening against residual pressure; locking tabs enable contents to be secured with tamper-proof seal

Avg ship weight: 52 lbs

Overall Height: 8 1/4" approximate



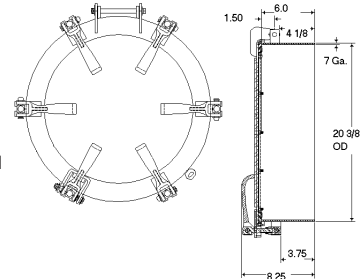
MZ 20" Full opening pressure manway/quick access inspection door - up to 25 PSI

Cover Material Contact / External	Weld Ring	Gasket	Vent	Replacement Gasket
1 Steel / Plated	0 None	1 Buna N	0 No Vent	2244
	1 6" x 3/16" Steel	2 Teflon Braided		5761

Applications: Asphalt, hot oil, general purpose access door for non-code applications ≤ 25 PSI
Locations: Conveyors, elevator legs, hoppers, silos, spouting, storage tanks and more
Features: 6 quick-opening adjustable cam levers; safety catch helps prevent accidents when opening against residual pressure; locking tabs enable contents to be secured with tamper-proof seal

Avg ship weight: 75 lbs

Overall Height: 8 3/4" approximate



LM 20" Full opening pressure manway / quick access inspection door - up to 30 PSI

Cover Material Contact / External	Weld Ring	Gasket	Vent	Replacement Gasket
1 Aluminum / Plated	0 None	1 Buna N	0 No Vent	3395
2 Aluminum / SS304	1 6" x 1/4" Aluminum	2 White Neoprene		3523
	2 6" x 3/16" Steel	3 Viton		4244
	3 6" x 3/16" SS304	4 Teflon Envelope		4875

Applications: Cement, chemical, crude oil, dry food products, salt, sand and other general applications with a working pressure ≤ 30 PSI

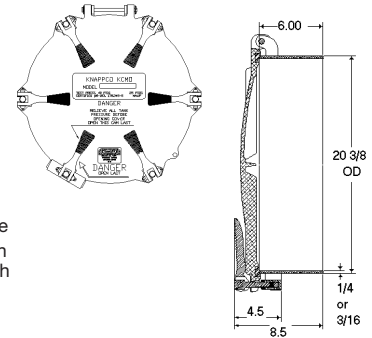
Locations: Cargo tanks, conveyors, elevator legs, intermodal bulk containers (IBC), rail cars and more

Features: 6 quick-opening adjustable cam levers; safety catch helps prevent accidents when opening against residual pressure; locking tabs enable contents to be secured with tamper-proof seal meets MC307 and DOT-407 (HM183) requirements

Avg ship weight: 55 lbs - Steel weld ring

45 lbs - Aluminum weld ring

Overall Height: 8 1/4" approximate



KY 24" Full opening pressure manway/ quick access inspection door - up to 18 PSI

Cover Material Contact / External	Weld Ring	Gasket	Vent	Replacement Gasket
1 Aluminum / Plated	0 None	1 Buna N	0 No Vent	1358
2 Aluminum / Steel	1 4" x 3/16" Steel	2 White Neoprene		4165
	2 4" x 3/16" Aluminum	V Viton*		3643
	3 4" x 3/16" SS304	S Silicone*		2190
	4 4" x 3/16" SS316			

Applications: Cement, chemical, crude oil, dry food products, liquids, salt, sand and other general applications with a working pressure ≤ 18 PSI

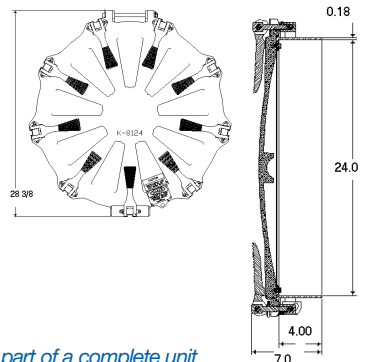
Locations: Cargo tanks, conveyors, elevator legs, intermodal bulk containers (IBC), rail cars and more

Features: Nine (9) quick-opening cam levers; safety catch helps prevent accidents when opening against residual pressure; locking tabs enable contents to be secured with tamper-proof seal

Avg ship weight: 70 lbs

Overall Height: 6 1/4" approximate

* Note: The viton and silicone gasket must be ordered as an extra gasket and not as part of a complete unit



KZ 24" Full opening pressure manway / quick access inspection door - up to 30 PSI

Cover Material Contact / External	Weld Ring	Gasket	Vent	Replacement Gasket
1 Aluminum / Plated	0 None	1 Buna N	0 No Vent	1358
2 Aluminum / Steel	1 4" x 3/16" Steel	2 White Neoprene		4165
	2 4" x 3/16" SS304	V Viton*		3643
		S Silicone*		2190

Applications: Cement, chemical, crude oil, dry food products, liquids, salt, sand and other general applications with a working pressure ≤ 30 PSI

Locations: Cargo tanks, storage tanks, rail cars and more

Features: 9 quick-opening adjustable cam levers; safety catch helps prevent accidents when opening against residual pressure; locking tabs enable contents to be secured with tamper-proof seal

Avg ship weight: 75 lbs

Overall Height: 6 1/4" approximate

* Note: The viton and silicone gasket must be ordered as an extra gasket and not as part of a complete unit

