

# Pressure Relieving Applications



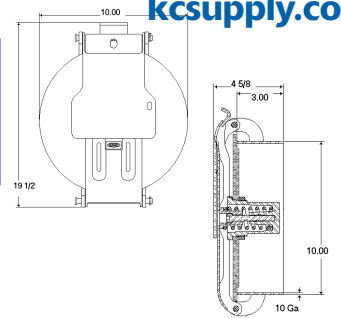
kcsupply.com



**LJ** 10" pressure-relieving fill cover — relieves pressure from 3 PSI to 5 PSI

Cover Material Contact / External	Weld Ring	Gasket	Vent
1 SS304 / SS304	0 None	1 Buna N	0 No Vent
2 Steel / Steel	1 3" x 10 Ga. SS304	2 Viton	1 NV2001
3 Aluminum / Plated	2 3" x 10 Ga. Steel	3 Teflon Envelope with Neoprene	3 VE0008
	3 3" x 0.190" Aluminum	4 White Neoprene	

Replacement Gasket
3429
4949
3956
4868



**Applications:** Cleanout, Fill Opening, Inspection Cover, Sampling Port

**Features:** Spring-loaded fill cap provides positive seal under normal operation; eliminates flutter during emergency pressure release; additional venting capabilities; rated emergency venting capacity 191,268 CFH at 5 PSI

**Avg ship weight:** 16 lbs

**Overall Height:** 4 1/2" approximate

## Pressure / Vacuum Relieving Tank Hatch



HA1110

**HA** 8" full opening pressure / vacuum relieving tank hatch

Base Contact / External	Cover	Dome	Pressure Option
1 Steel, Weld, Straight	1 Plated Steel	1 Plated <b>Steel</b>	0 None
2 Cast Iron, Flanged, Sloped			

**Relieves pressure at 1.5 oz / sq inch and vacuum at 0.5 oz/sq inch**

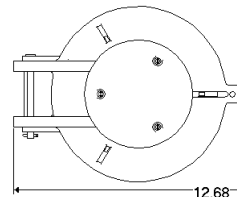
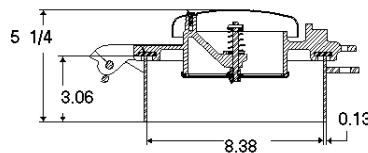
**Applications:** Baghouse, food products, grain elevators, industrial products, silos  
**Features:** Full opening cover can be used for sampling or inspection; available with bolt-on flanged base or straight weld-on base; dependable design is easy to maintain pressure relief of 46.4 sq inch free area and vacuum relief of 15.9 sq inch free area

**Avg ship weight:** 14 lbs (flanged base) / 19 lbs (weld ring)

**Overall height:** 5 1/4 weld base / 4 5/8" flanged base

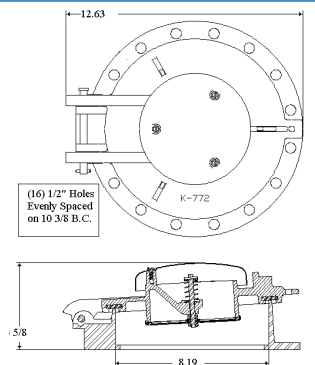


HA2110



### Replacement Gasket

	Dome	Cover
Black Neoprene	1683	1676
White Neoprene	6769	6770



**HC** 20" full opening pressure / vacuum relieving tank hatch

Base	Cover	Dome	Pressure Option
1 Cast Aluminum	1 Cast Aluminum	1 plated steel dome	0 1 oz aluminum dome
		2 cast aluminum dome (only available with 1oz setting)	0 2 oz steel dome
			1 4 oz steel dome
			2 5 oz steel dome
			3 6 oz steel dome
			4 8 oz steel dome

**Applications:** Baghouse, food products, grain elevators, industrial products, silos  
**Features:** Full opening cover can be used for sampling or inspection; available with bolt-on flange only. Pressure relief of 291 sq inch free area and vacuum relief of 78.5 sq in free area. Not for use with hazardous materials; product can be emitted when relieving pressure

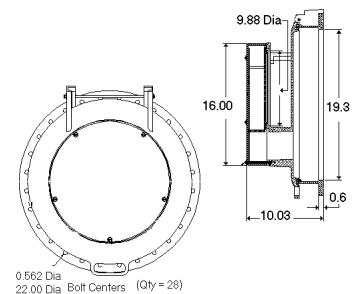
**Overall height:** 10 1/4" approximate

**Avg ship weight:** HC1120 = 40 lbs  
HC1110 = 60 lbs  
HC1111 = 100 lbs

**Vacuum Setting (not adjustable):** 0.5 oz / sq in. all models

### Replacement Gasket

	Dome	Cover
Black Neoprene	1164	1165
White Neoprene	1160	1163



**HH** 24" full opening pressure / vacuum relieving tank hatch

Pressure Settings	Vacuum Settings	Gasket
2.0 oz through 29.0 oz (increments of 1.0 oz)	0.5 oz through 9.0 oz (increments of 1.0 after the 1.0 oz setting <b>Std Vacuum setting is 0.5 oz</b> )	White Food Grade (FDA Approved)

**Applications:** Baghouse, food products, grain elevators, industrial products, silos

**Features:** All-aluminum contact parts eliminate corrosion; no internal hardware to contaminate products; weather hood provides protection from elements; palm nuts allow for quick, easy opening; large 24" opening provides higher venting capacity and improved access into equipment.

**Overall height:** 13" approximate

**Avg ship weight:** 81 lbs

**Warning:** Cover should be inspected at least once each month to ensure proper operation and properly functioning hardware. The weather hood should be inspected for damage. Replace missing or damaged items.

