



kcsupply.com

Non-Pressure Applications



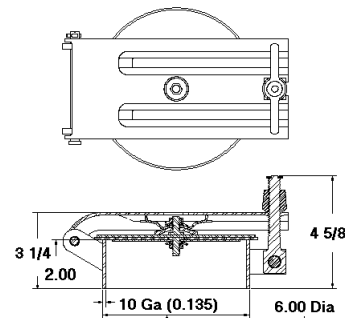
LH 6" Non-pressure fill cover / quick access inspection door

Cover Material Contact / External	Weld Ring	Gasket	Vent
1 Steel / Steel	0 None	1 Buna N	0 No Vent
2 SS304 / Plated	1 2" x .135" Steel	2 Hi-Temp	
3 SS316 / Plated	2 2" x 11 Ga. SS304	3 EPDM	
4 SS316L / Plated	3 2" x 10 Ga. SS316	4 Teflon	
5 SS304 / SS304 (plated wing nut)	4 2" x 11 Ga. SS316L	5 White Neoprene	

Replacement Gasket
2526
2808
4255
4759
5131

Applications: Cleanout, Fill Opening, Inspection Cover, Sampling Port
Locations: Conveyors, elevator legs, hoppers, silos, spouting, storage tanks and more
Features: Wing-nut hatch provides tight, secure closure; durable, lightweight construction
Avg. ship weight: 10 lbs **Overall Height:** 4 7/8" approximate

Also available with crossarm design, similar to LA series



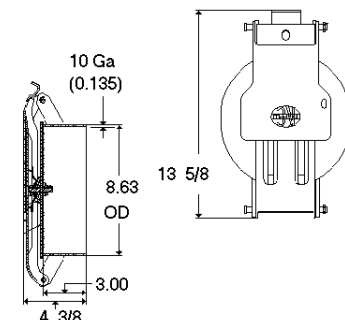
LA 8" Non-pressure fill cover / quick access inspection door

Cover Material Contact / External	Weld Ring	Gasket	Vent
1 Steel / Steel	0 None	1 Buna N	0 No Vent
2 SS304 / Plated	1 3" x 0.135" Steel	2 Hi-Temp	1 VE0010
3 SS304 / SS304	2 3" x 11 Ga. SS304	3 White Neoprene	2 NV2001
4 SS316 / SS304	3 3" x 0.148 SS316	4 Teflon	
5 SS304L / SS304	4 3" x 11 Ga. SS304L	5 Viton	

Replacement Gasket
1641
2568
4739
2678
5080

Applications: Cleanout, Fill Opening, Inspection Cover, Sampling Port
Locations: Conveyors, elevator legs, hoppers, silos, spouting, storage tanks and more
Features: Ideal inspection port for conveying systems; locking hatch; no tools required to open
Avg ship weight: 11 lbs **Overall Height:** 4 1/2" approximate

Also available with 6" diameter opening



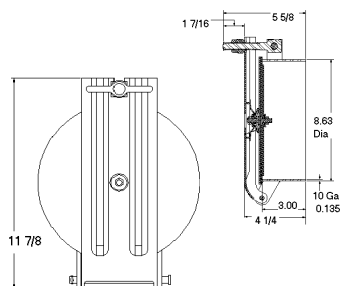
LW 8" Non-pressure fill cover / quick access inspection door

Cover Material Contact / External	Weld Ring	Gasket	Vent
1 Steel / Steel	0 None	1 Buna N	0 No Vent
2 SS304 / Plated	1 3" x 0.135" Steel	2 Hi-Temp	
3 SS316 / SS304 (plated wing nut)	2 3" x 11 Ga. SS304 3 3" x 10 Ga SS316	3 White Neoprene	

Replacement Gasket
1641
2568
4739

Applications: Cleanout, Fill Opening, Inspection Cover, Sampling Port
Locations: Conveyors, elevator legs, hoppers, silos, spouting, storage tanks and more
Features: Wing-nut hatch provides tight, secure closure; durable, lightweight construction
Avg ship weight: 11 lb **Overall Height:** 5 5/8" approximate

Also available with 6, 10 and 12 inch diameter openings



LB 10" Non-pressure fill cover / quick access inspection door

Cover Material Contact / External	Weld Ring	Gasket	Vent
1 Steel / Steel	0 None	1 Buna N	0 No Vent
2 Aluminum / Plated	1 3" x 10 Ga. Steel	2 Teflon	2 NV2001
3 SS304 / Plated	2 3" x 0.190 Aluminum	3 Hi-Temp	3 VE0010
4 SS304 / SS304	3 3" x 10 Ga. SS304	4 Black Neoprene	
5 SS316 / SS304	4 3" x 10 Ga. SS316	5 White Neoprene	
6 SS316L / SS304	5 3" x 1/4" Steel	6 EPDM	
	6 3" x 10 Ga. SS316L	7 Viton	

Replacement Gasket
2561
2552
2575
2553
3357
2562
2181

Applications: Cleanout, Fill Opening, Inspection Cover, Sampling Port
Locations: Conveyors, elevator legs, hoppers, silos, spouting, storage tanks and more
Features: Ideal inspection port for conveying systems; locking hatch; no tools required to open
Avg ship weight: 14 lb **Overall Height:** 4 1/2" approximate

Also available in wing-nut style similar to LH and LW series

