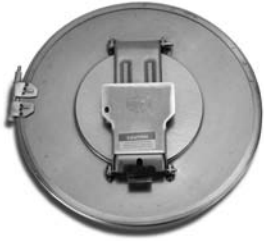




kcsupply.com

# Non-Pressure Applications



**KB** 20" Non-pressure manway with 10" fill opening

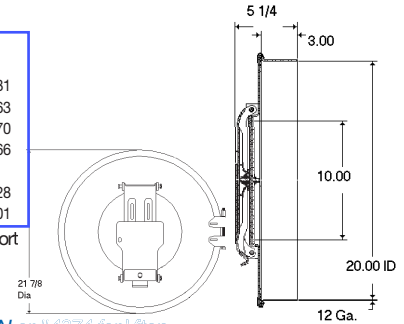
Cover Material Contact / External	Weld Ring	Gasket	Vent
1 Steel / Steel	0 None	1 Buna N	0 No Vent
2 SS304 / Plated	1 3" x 12 Ga. Steel	2 EPDM	2 NV2001
3 SS304 / SS304	2 3" x 1/4" Aluminum	3 Hi-Temp	3 VE0010
4 Plated / Plated	3 3" x 12 Ga. SS304	4 Teflon Envelope with Viton FC Gasket	
5 SS316 / SS304	4 3" x 12 Ga. SS316	5 White Neoprene	
		6 Viton	

Replacement Gasket
10" 2561 20" 1181
10" 2181 20" 2563
10" 2575 20" 2770
10" 2181 20" 2566
10" 3357 20" 4128
10" 2181 20" 2701

**Applications:** Access Door, Bin Entry, Cleanout, Fill Opening, Inspection Cover, Manhole, Sampling Port  
**Locations:** Conveyors, elevator legs, hoppers, silos, spouting, storage tanks and more  
**Features:** Durable, lightweight, locking hatch

**Avg ship weight:** 20 lbs (Steel with weld ring) **Overall Height:** 5 1/4" approximate

*\*Note: If the KB has an aluminum weld ring, replacement gaskets are #4646 for Buna N or #4874 for Viton*



**KP** 20" Non-pressure manway / quick access inspection door

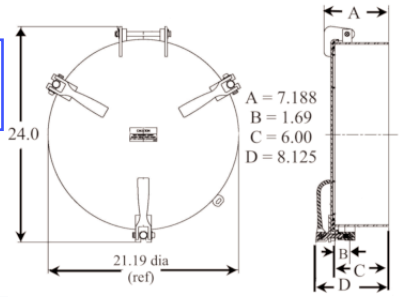
Cover Material Contact / External	Weld Ring	Gasket	Vent
1 Steel / Steel	0 None	1 Buna N	0 No Vent
2 Aluminum / Plated	1 6" x 3/16" Steel	2 White Neoprene	
3 SS304 / Plated	2 6" x 3/16" Aluminum		
4 SS304 / SS304	3 6" x 3/16" SS304		

Replacement Gasket
1026
1432

**Applications:** Access Door, Bin Entry, Cleanout, Fill Opening, Inspection Cover, Manhole, Sampling Port

**Locations:** Conveyors, elevator legs, hoppers, silos, spouting, storage tanks and more  
**Features:** Three cam levers for quick opening; no tools required to open

**Avg ship weight:** 50 lbs **Overall Height:** 8 1/2" approximate



**LE** 20" Non-pressure manway / quick access inspection door

Cover Material Contact / External	Weld Ring	Gasket	Vent
1 Steel / Steel	0 None	1 Buna N	0 No Vent
2 Aluminum / Plated	1 3" x 3/16" Steel	2 White Neoprene	
3 SS304 / SS304	2 3" x 1/4" Aluminum	3 EPDM	
4 SS316 / SS304	3 3" x 3/16" SS304	4 Viton	
5 SS304 / Plated	4 3" x 3/16" SS316	5 Teflon	
6 SS316L / SS304	5 3" x 3/16" SS316L	6 Hi-Temp	

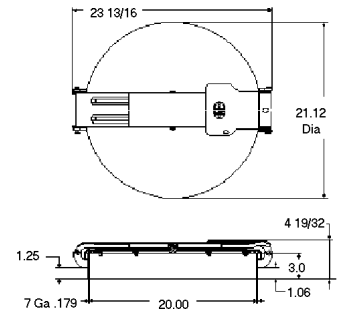
Replacement Gasket
1026
1432
3622
2573
2551
2726

**Applications:** Bin Entry, Cleanout, Fill Opening, Inspection Cover, Manhole, Sampling Port

**Locations:** Conveyors, elevator legs, hoppers, silos, spouting, storage tanks and more

**Features:** Ideal inspection port for conveying systems; locking hatch; no tools required to open

**Avg ship weight:** 29 lbs (Steel with weld ring) **Overall Height:** 4 1/2" approximate



**KM** 20" Non-pressure manway / quick access inspection door

Cover Material Contact / External	Weld Ring	Gasket	Vent
1 Steel / Steel	0 None	1 Buna N	0 No Vent
2 SS304 / SS304	1 3" x 3/16" Steel	2 White Neoprene	
3 SS316 / SS304	2 3" x 3/16" SS304	3 Viton	
	3 3" x 3/16" SS316	4 EPDM	
		5 Hi-Temp	

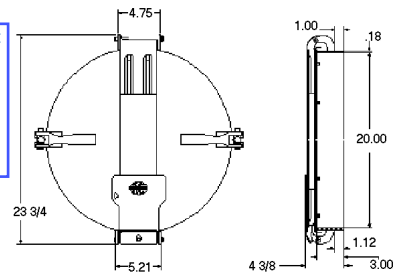
Replacement Gasket
1026
1432
2573
3622
2726

**Applications:** Access Door, Bin Entry, Cleanout, Fill Opening, Inspection Cover, Manhole, Sampling Port

**Locations:** Conveyors, elevator legs, hoppers, silos, spouting, storage tanks and more

**Features:** Two additional cam levers for tighter seal; locking latch; low maintenance

**Avg ship weight:** 42 lbs **Overall Height:** 4 3/8" approximate



**KN** 24" Non-pressure manway / quick access inspection door

Cover Material Contact / External	Weld Ring	Gasket	Vent
1 Steel / Steel	0 None	1 Buna N	0 No Vent
2 SS304 / SS304	1 4" x 3/16" Steel	2 White Neoprene	1 VE0010
3 SS316 / SS304	2 4" x 3/16" SS304	3 Hi-Temp	
	3 4" x 3/16" SS316	4 EPDM	
		5 Viton	

Replacement Gasket
1358
4165
2571
4732
3643

**Applications:** Access Door, Bin Entry, Cleanout, Fill Opening, Inspection Cover, Manhole, Sampling Port

**Locations:** Conveyors, elevator legs, hoppers, silos, spouting, storage tanks and more

**Features:** Two additional cam levers for tighter seal; locking latch; low maintenance

**Avg ship weight:** 52 lbs **Overall Height:** 5 3/8" approximate

