

Non-Pressure Applications



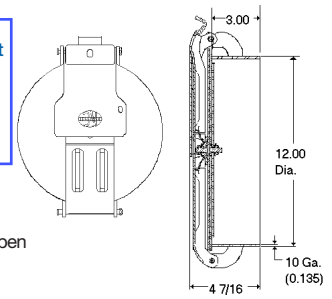
kcsupply.com



LS 12" Non-pressure fill cover / quick access inspection door

Cover Material Contact / External	Weld Ring	Gasket	Vent
1 Steel / Steel	0 None	1 Buna N	0 No Vent
2 SS304 / Plated	1 3" x 10 Ga. Steel	2 Hi-Temp	
3 SS304 / SS304	3 3" x 10 Ga. SS304	5 White Neoprene	
5 SS316 / SS304	4 3" x 10 Ga. SS316		
6 SS316L / SS304	5 3" x 10 Ga. SS316L		

Replacement Gasket
5058
1239
5590



Applications: Cleanout, Fill Opening, Inspection Cover, Sampling Port
Locations: Conveyors, elevator legs, hoppers, silos, spouting, storage tanks and more
Features: Ideal inspection port for conveying systems; locking hatch; no tools required to open
Avg ship weight: 17 lbs **Overall Height:** 4 1/2" approximate

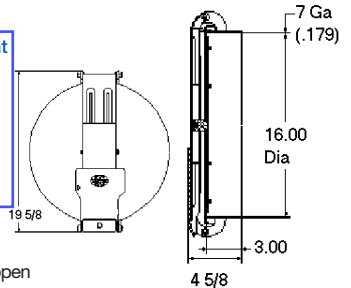
Also available in wing-nut style similar to LH and LW series



LD 16" Non-pressure manway / quick access inspection door

Cover Material Contact / External	Weld Ring	Gasket	Vent
1 Steel / Steel	0 None	1 Buna N	0 No Vent
2 Aluminum / Plated	1 3" x 3/16" Steel	2 Teflon Envelope	
3 SS304 / SS304	2 3" x 1/4" Aluminum	3 Viton	
4 SS316 / SS304	3 3" x 3/16" SS304	4 Hi-Temp	
5 SS304 / Plated	4 3" x 3/16" SS316	5 White Neoprene	
6 SS316L / SS304	5 3" x 3/16" SS316L	6 EPDM	

Replacement Gasket
1294
2567
3889
2685
3145
4612



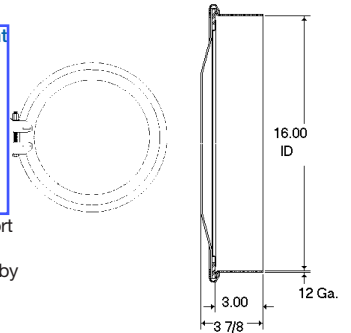
Applications: Cleanout, Fill Opening, Inspection Cover, Manholes, Sampling Port
Locations: Conveyors, elevator legs, hoppers, silos, spouting, storage tanks and more
Features: Ideal inspection port for conveying systems; locking hatch; no tools required to open
Avg ship weight: 25 lbs **Overall Height:** 4 1/2" approximate



KF 16" Non-pressure manway / quick access inspection door

Cover Material Contact / External	Weld Ring	Gasket	Vent
1 Steel / Steel	0 None	1 Buna N	0 No Vent
2 Aluminum / Plated	1 3" x 12 Ga. Steel	2 White Neoprene	
3 SS304 / Plated	2 3" x 1/4" Aluminum	3 Teflon Envelope with Black Neoprene Filler	
4 SS304 / SS304	3 3" x 12 Ga. SS304	4 Hi-Temp	
5 SS316 / SS304	4 3" x 12 Ga. SS316	5 EPDM	
		6 Red Silicon	

Replacement Gasket*
1106
2558
4821
1377
4612
4686



Applications: Bin Entry, Cleanout, Fill Opening, Inspection Cover, Manhole, Sampling Port
Locations: Conveyors, elevator legs, hoppers, silos, spouting, storage tanks and more
Features: Durable construction, easy removal and maintenance; gasket is held in place by retainer clips welded to the cover;
Avg ship weight: 14 lbs **Overall Height:** 3 7/8" approximate

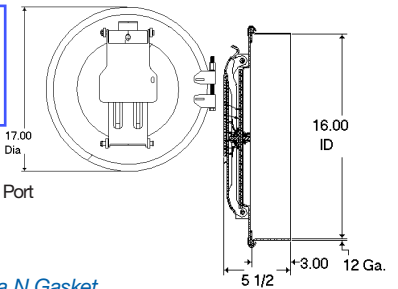
*Note: If the KF has an aluminum weld ring, use #4645 for replacement Buna N Gasket



KA 16" Non-pressure manway with 10" fill opening

Cover Material Contact / External	Weld Ring	Gasket	Vent
1 Steel / Steel	0 None	1 Buna N*	0 No Vent
2 Aluminum / Plated	1 3" x 12 Ga. Steel	2 Viton	2 NV2001
3 SS304 / Plated	2 3" x 1/4" Aluminum	3 Hi-Temp	3 VE0010
4 SS304 / SS304	3 3" x 12 Ga. SS304		
5 Plated / Plated	4 3" x 12 Ga. SS316		
7 SS316 / SS304			

Replacement Gasket
10" 2561 / 16" 1106
10" 2181 / 16" 1509
10" 2575 / 16" 1377



Applications: Access Door, Bin Entry, Cleanout, Fill Opening, Inspection Cover, Manhole, Sampling Port
Locations: Conveyors, elevator legs, hoppers, silos, spouting, storage tanks and more
Features: Durable, lightweight, locking hatch
Avg ship weight: 18 lbs (Steel with weld ring) **Overall Height:** 5 1/4" approximate

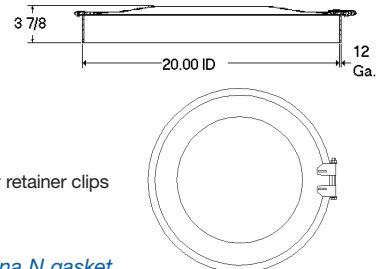
* Note: If the KA has an aluminum weld ring, use #4645 for replacement Buna N Gasket



KG 20" Non-pressure manway / quick access inspection door

Cover Material Contact / External	Weld Ring	Gasket	Vent
1 Steel / Steel	0 None	1 Buna N	0 No Vent
2 SS304 / Plated	1 3" x 12 Ga. Steel	2 Hi-Temp	
3 SS304 / SS304	2 3" x 1/4" Aluminum	3 White Neoprene	
4 SS316 / SS304	3 3" x 12 Ga. SS304		
	4 3" x 12 Ga. SS316		

Replacement Gasket*
1181
2570
4128



Applications: Bin Entry, Cleanout, Fill Opening, Inspection Cover, Manhole, Sampling Port
Locations: Conveyors, elevator legs, hoppers, silos, spouting, storage tanks and more
Features: Durable construction, easy removal and maintenance; gasket is held in place by retainer clips welded to the cover;

Avg ship weight: 16 lbs (Steel with weld ring) / 8 lbs (Aluminum with weld ring)

Overall Height: 3 7/8" approximate

*Note: If the KG has an aluminum weld ring, use #4646 for replacement Buna N gasket