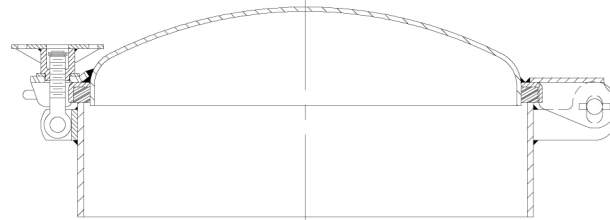
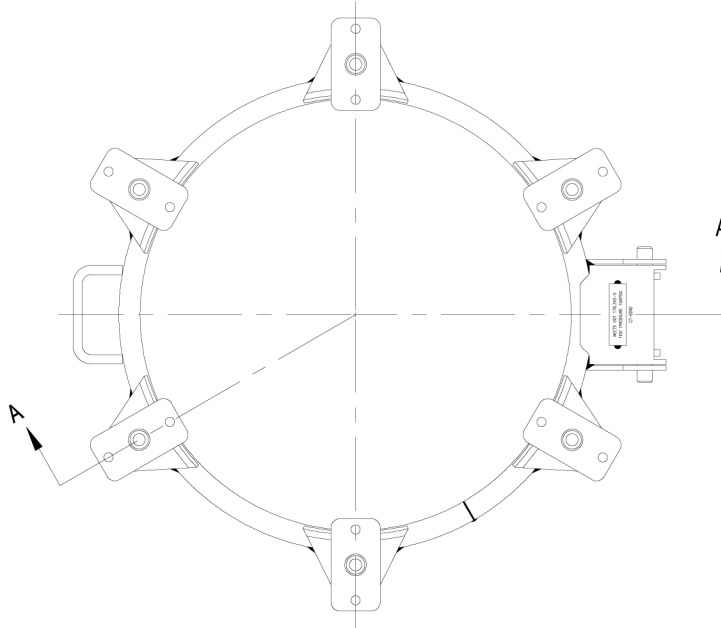




18" (457.2mm) FULL OPENING MANHOLE

ASME TYPE

ASME SYMBOL & DATA PROVIDED
THREADED HOLD-DOWNS
6" OR 10" HIGH COLLAR AVAILABLE



Section A-A
 Model 8418

This Tiona 18" Full Opening Manhole conforms to the requirements of the ASME code for pressure vessels Section VIII, Division 1.

Weld Collar	Cover	Hardware	Number Hold Downs	*Working Pressure		Weight	Collar Height	Assembly No.
Steel	Steel	Stnls 304	6	100	6.8	61.4 lb.	6" (152.4mm)	8418SCW-6"
Stnls 316L	Stnls 316L			PSI	BAR	63.7 lb.		8418LCW-6"
Steel	Steel	Stnls 304	6	100	6.8	76.1 lb.	10" (254mm)	8418SCW-10"
Stnls 316L	Stnls 316L			PSI	BAR	79.0 lb.		8418LCW-10"

Notes: White Hypalon gasket furnished as standard (reference suffix "W" in assembly number). For other gaskets available, see parts page for correct suffix.

*Tests were conducted and ratings determined with homogeneous gaskets

During installation and welding the collars to the tank, care should be exercised to insure the collars remain flat and round in order to assure proper performance. If necessary a welding fixture should be used to prevent distortion.