

U.S. Tsubaki, Inc.

Engineering Chain Division



ONE-TOUCH INSPECTION DOOR[®]



**Patented
Design**

Easy Access Inspection Doors

- **Durable and trouble-free**
- **Dust- and rain-tight**
- **Easy to open**
- **Easy to install**

Available from KC Supply Co Inc
Ph 800.527.8775

kcsupply@kcsupply.com

Fx 816.753.0444

ONE-TOUCH INSPECTION DOOR®

EASY ACCESS TO YOUR LINES



1.800.527.8775

Put ONE-TOUCH INSPECTION DOOR® to work today!



ONE-TOUCH INSPECTION DOOR is a dust- and rain-tight inspection and service door for conveyors, as well as processing and handling equipment. These pre-fabricated units are in-stock and ready-to-go for easy installation at the jobsite. Once in place, ONE-TOUCH INSPECTION DOOR allows for quick and simple inspection without the need for special tools: just lift the lever! No bolts to loosen and no covers to misplace. One touch is all it takes...it's that simple.

You can't build better access to your equipment. In-house fabrications are an expensive and labor-intensive proposition. They are clumsy and hard to open. Bolts are difficult to loosen, and they are easy to lose. That costs time and money. In-house fabrications just can't stand up to the rigors of most in-plant operations.

ONE-TOUCH INSPECTION DOOR was specifically designed to last—indoors or out. In fact, it has a three-part, **patented design**.

1. The framework is made of high-quality mild steel or stainless steel to ensure durability and long service life.
2. The strong, long-lasting hinges and self-locking handles open and close easily.
3. The specially designed gaskets withstand temperatures of -95°F to 550°F and ensure a tight fit against water and dust.

Best of all, ONE-TOUCH INSPECTION DOOR installs quickly to existing equipment, without detailed dimensioning or costly structural changes.

Select the door that is right for your operation. We offer **Standard ONE-TOUCH INSPECTION DOORS** in regular and high-neck styles in a variety of sizes. Standard doors are available in mild steel for general applications or stainless steel for extra corrosion resistance. Polyethylene, epichlorhydrin, or silicon rubber gaskets seal tight in temperatures from -95°F to 400°F. **Large ONE-TOUCH INSPECTION DOORS** are available in mild steel for general applications or stainless steel for high corrosion resistance. Large doors come with neoprene rubber or silicon rubber strip gaskets to meet your operating temperatures from -80°F to 550°F.

And we offer other sizes and materials on a **made-to-order basis**. Do you need a different size or extra handles? We can work with you on special requirements, including types of materials for casings and levers, unique sizes, as well as placement of hinges.

SAFETY FEATURES

LOCKOUT



A simple padlock can be used on any ONE-TOUCH INSPECTION DOOR to prevent entry to equipment.

PROTECTIVE SCREEN



A protective screen for visual inspection is available for immediate shipment on P1, P2 and P3 styles (special order for other styles). Meets OSHA standards.

Available from KC Supply Co Inc
Ph 800.527.8775

kcsupply@kcsupply.com

Fx 816.753.0444



ONE-TOUCH INSPECTION DOOR®

STANDARD MODEL	
Description	Material Thickness
Frame	10 gauge
Cover	13 gauge

GASKET OPTIONS	
Materials	Temperature Ranges
Polyethylene (SG)	-95PF to 175PF
Epichlorhydrin (ECH)	-40PF to 275PF
Silicon rubber (HT)	-67PF to 400PF

COMPONENT COMPOSITION * Call for Availability.

Model Number	Body Material	Handle Material
P SERIES	Mild steel with rust-proof primer	Chrome-plated
Q SERIES	304 Stainless steel	Chrome-plated
R SERIES	304 Stainless steel	304 Stainless steel
QS SERIES*	316L Stainless steel	Chrome-plated
RS SERIES*	316L Stainless steel	304 Stainless steel

STANDARD ONE-TOUCH INSPECTION DOOR SPECIFICATIONS Dimensions are in inches unless otherwise indicated.

Style/Model No.		Door Frame				Cover					Lever			Approx. Weight (lbs.)		
		Regular	High Neck	A	B	H		A1	A2	B1	H1		L1		Qty.	Reg.
Reg.	High Neck					Reg.	High Neck				Reg.	High Neck				
P1	P1H	5	8	2	4	6 1/4	8 1/2	9	2 1/2	4 1/2	4 1/2	6 1/2	1	5	6	
P2	P2H	8	12	2	4	9	11 1/4	13	2 1/2	4 1/2	4 1/2	6 1/2	1	7	9	
P3	P3H	13 3/4	19 3/4	2	4	15	17 1/4	20 3/4	2 1/2	4 1/2	4 1/2	6 1/2	2	13	18	
P4		19 3/4	23 1/2	3	N/A	20 3/4	23 1/4	24 3/4	3 1/2	N/A	4 1/2	N/A	2	24	N/A	
304 Stainless Steel Body, Chrome-Plated Handle																
Q1	Q1H	5	8	2	4	6 1/4	8 1/2	9	2 1/2	4 1/2	4 1/2	6 1/2	1	5	6	
Q2	Q2H	8	12	2	4	9	11 1/4	13	2 1/2	4 1/2	4 1/2	6 1/2	1	7	9	
Q3	Q3H	13 3/4	19 3/4	2	4	15	17 1/4	20 3/4	2 1/2	4 1/2	4 1/2	6 1/2	2	13	18	
Q4		19 3/4	23 1/2	3	N/A	20 3/4	23 1/4	24 3/4	3 1/2	N/A	4 1/2	N/A	2	24	N/A	
304 Stainless Steel Body, 304 Stainless Steel Handle																
R1	R1H	5	8	2	4	6 1/4	8 1/2	9	2 1/2	4 1/2	4 1/2	6 1/2	1	5	6	
R2	R2H	8	12	2	4	9	11 1/4	13	2 1/2	4 1/2	4 1/2	6 1/2	1	7	9	
R3	R3H	13 3/4	19 3/4	2	4	15	17 1/4	20 3/4	2 1/2	4 1/2	4 1/2	6 1/2	2	13	18	
R4		19 3/4	23 1/2	3	N/A	20 3/4	23 1/4	24 3/4	3 1/2	N/A	4 1/2	N/A	2	24	N/A	
316L Stainless Steel Body, Chrome-Plated Handle																
QS1	QS1H	5	8	2	4	6 1/4	8 1/2	9	2 1/2	4 1/2	4 1/2	6 1/2	1	5	6	
QS2	QS2H	8	12	2	4	9	11 1/4	13	2 1/2	4 1/2	4 1/2	6 1/2	1	7	9	
QS3	QS3H	13 3/4	19 3/4	2	4	15	17 1/4	20 3/4	2 1/2	4 1/2	4 1/2	6 1/2	2	13	18	
316L Stainless Steel Body, 304 Stainless Steel Handle																
RS1	RS1H	5	8	2	4	6 1/4	8 1/2	9	2 1/2	4 1/2	4 1/2	6 1/2	1	5	6	
RS2	RS2H	8	12	2	4	9	11 1/4	13	2 1/2	4 1/2	4 1/2	6 1/2	1	7	9	
RS3	RS3H	13 3/4	19 3/4	2	4	15	17 1/4	20 3/4	2 1/2	4 1/2	4 1/2	6 1/2	2	13	18	

Note: Dimensions are rounded to the nearest 1/4".

ONE-TOUCH INSPECTION DOOR®

Fx 816.753.0444

LARGE MODEL

Description	Material Thickness
Frame	1/4"
Cover	10 gauge



COMPONENT COMPOSITION

* Call for Availability.

L Series	Options
Body material	Mild steel, Stainless steel*
Lever material	Mild steel, Stainless steel*
Body finish	Rust-proof primer
Handle finish	Chrome-plated
Gasket options	Neoprene rubber, Silicon rubber

GASKET OPTIONS

Materials	Temperature Range
Neoprene rubber	-20PF to 160PF
Silicon rubber (HT)	-80PF to 550PF

LARGE ONE-TOUCH INSPECTION DOOR SPECIFICATIONS

Dimensions are in inches unless otherwise indicated.

Model No.	Door Opening		Cover			Lever		Approx. Weight (lbs.)
	A	B	A1	B1	H	L1	Qty.	
L1	29 1/2	19 3/4	34 1/4	24 1/2	3 1/4	5 1/4	5	80
L2	39 1/4	25 1/2	44	30 1/4	3 1/4	5 1/4	6	111
L3	47 1/4	31 1/2	52	36 1/4	3 1/4	5 1/4	8	141

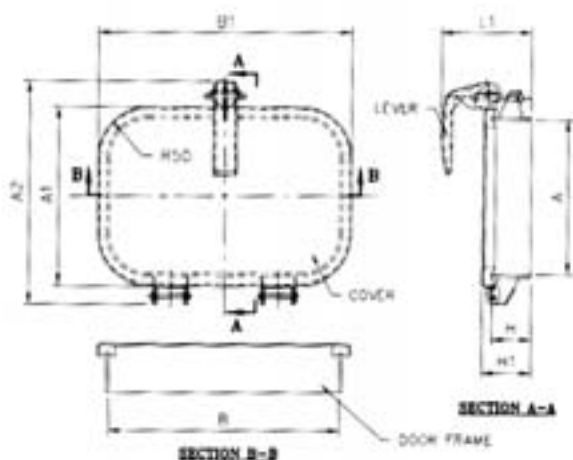
Note: Dimensions are rounded to the nearest 1/4".

Need a special size...or extra handles?

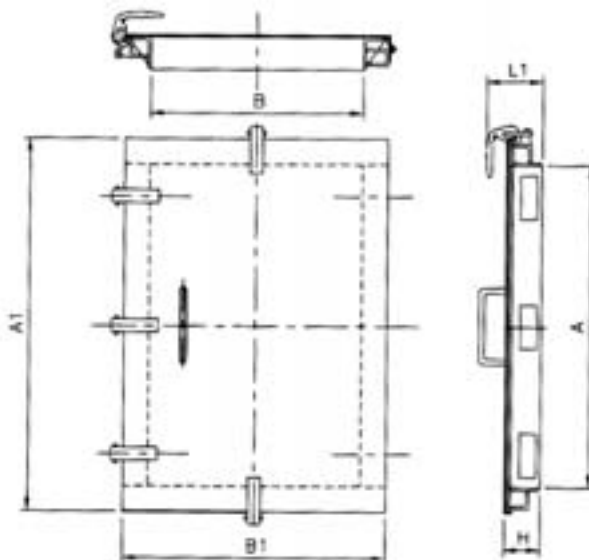
Do you want to change the location of handles or hinges?

Contact your representative. We can work with you on special requirements.

STANDARD MODEL



LARGE MODEL



ONE-TOUCH INSPECTION DOOR®

IT'S AS EASY AS 1 - 2 - 3!

Easy access is at your fingertips.



1. Position the door.

Place the door frame at the appropriate site and tack weld it into position. Then solidly weld the frame to the surface.



2. Cut the inside hole.

Open the door and carefully torch burn the center to create the access area.



3. Complete installation.

After the area has cooled, attach the lever, apply the gasket, and place the safety warning label in a prominent position.

Available from KC Supply Co Inc
Ph 800.527.8775
kcsupply@kcsupply.com
Fx 816.753.0444

ONE-TOUCH INSPECTION DOOR® is a registered trademark of Tsubaki Conveyor of America, Inc.