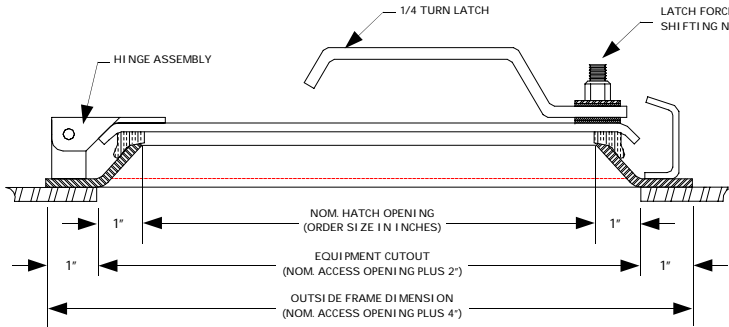
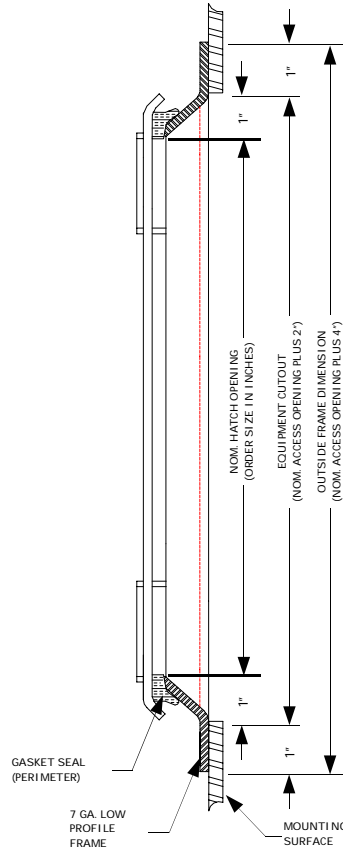
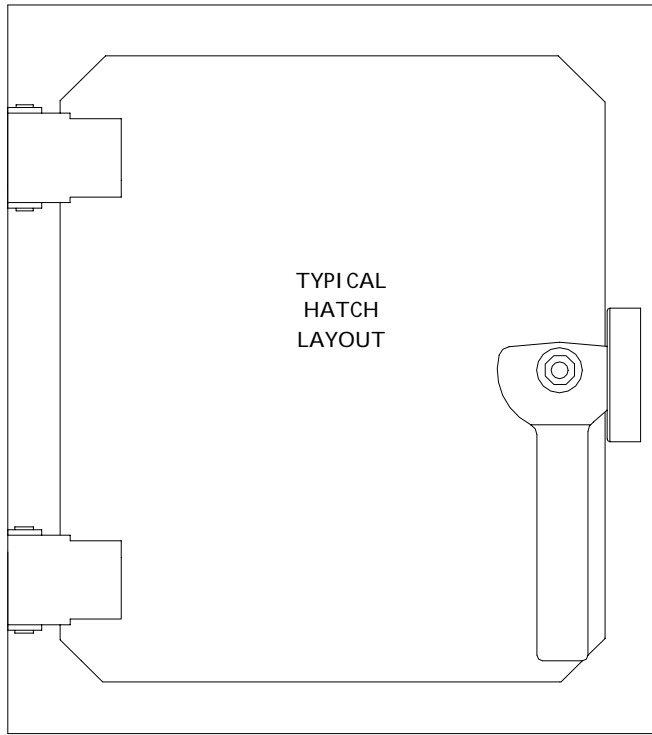


# ACCESS HATCH MEASURING GUIDE



1.800.527.8775  
 1.800.KC SUPPLY  
 www.kcsupply.com

PROJECT: \_\_\_\_\_  
 CUSTOMER NAME: \_\_\_\_\_  
 COMPANY NAME: \_\_\_\_\_  
 ADDRESS: \_\_\_\_\_  
 CITY: \_\_\_\_\_ ST: \_\_\_\_\_ ZIP: \_\_\_\_\_  
 PHONE: \_\_\_\_\_ FAX: \_\_\_\_\_

HATCH	WIDTH (HINGE TO LATCH) INCHES	HEIGHT INCHES	QTY
A			
B			
C			
D			
E			

## HATCH/FRAME TYPE:

- STANDARD
- HIGH NECK (GIVE NECK HEIGHT IN INCHES: \_\_\_\_\_)
- RADIUS CUT-OUT (GIVE RADIUS DIMENSIONS: \_\_\_\_\_)
- CUSTOM (CONSULT FACTORY)

## HATCH MATERIAL

- MILD STEEL (STANDARD)
- STAINLESS STEEL (304-2B STANDARD)  
 INCLUDES STAINLESS STEEL HARDWARE.

## SEALS:

- STANDARD: EPDM (SEAL = 350°F, ADHESIVE 250°F)
- EXTRUDED SILICON RUBBER SEAL  
 (SEAL = 450°F, SILICON RTV ADHESIVE = 600°F)
- FIBERGLAS SEAL (SEAL = 1000°F)
- CUSTOM SEALS (CONSULT FACTORY)

## LATCHING:

- 1/4-TURN MECHANICAL LATCH (STANDARD)
- PADLOCK HASP
- CUSTOM LATCHING (CONSULT FACTORY)