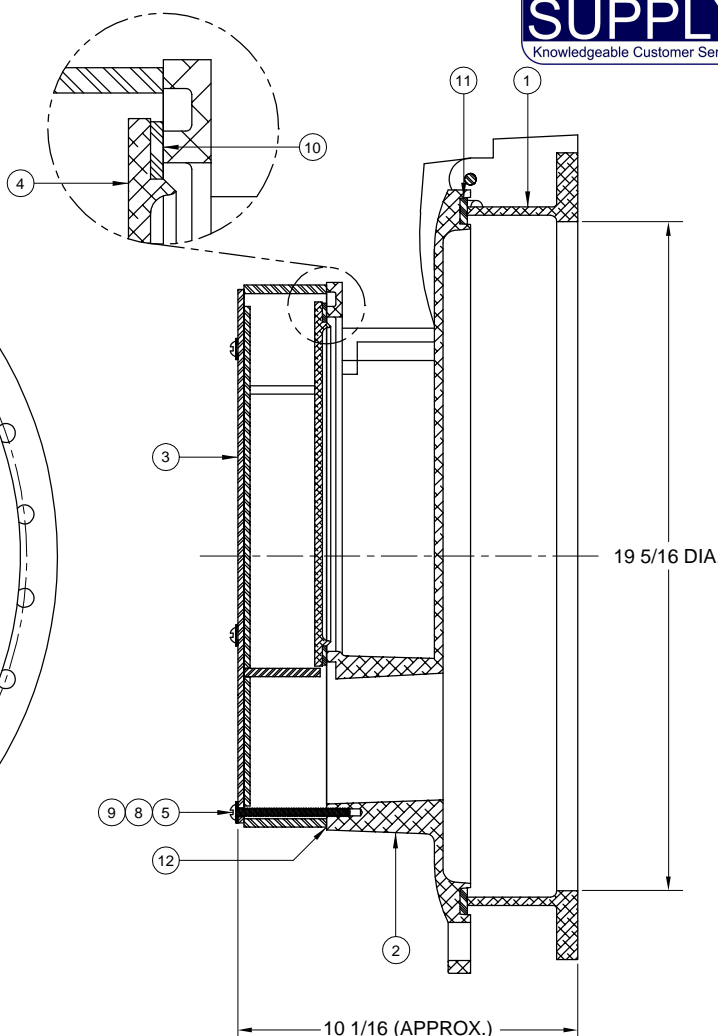
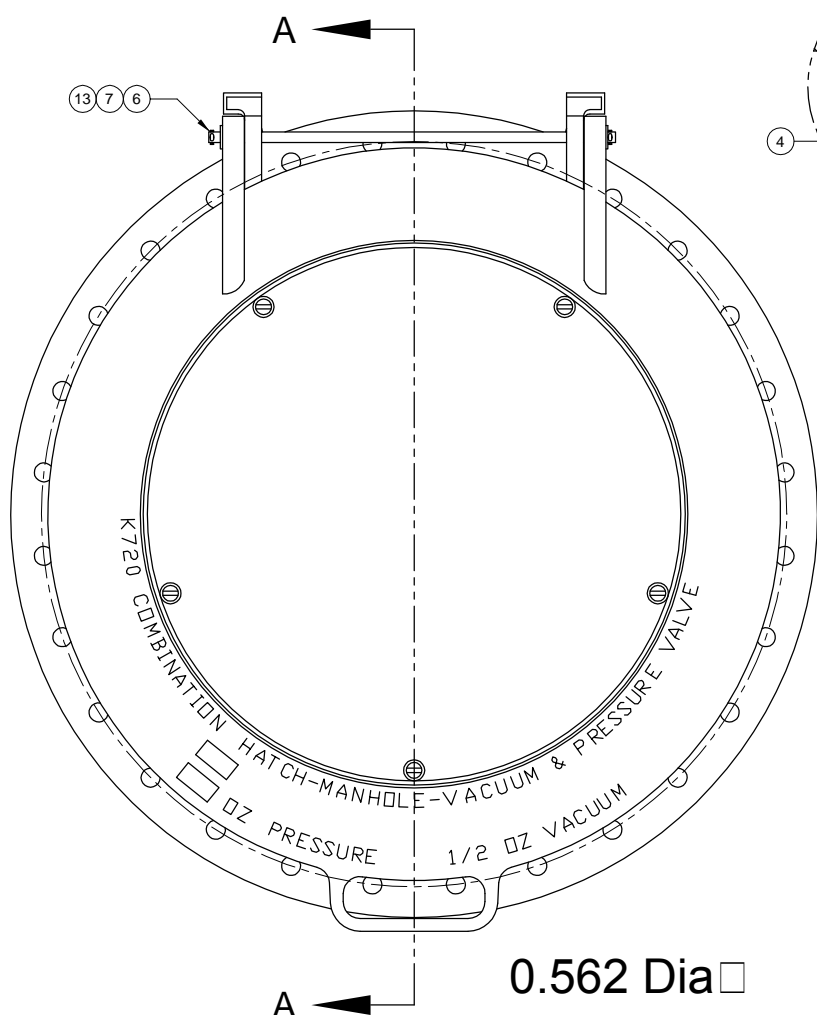


# HC SERIES 20" PRESSURE / VACUUM HATCH



0.562 Dia   
 28 holes   
 22" Dia. Bolt Centers

SECTION A-A

ITEM	PART NUMBER	DESCRIPTION	QTY.
1	1661	BASE (ALUMINUM)	1
2	1662	COVER (ALUMINUM)	1
3	SEE CHART	DOME ASSEMBLY	1
4	1663	VACUUM POPPET (ALUMINUM)	1
5	1666	SCREW (PLATED)	5
6	3798	HINGE PIN (PLATED)	1
7	1567	COTTER PIN (PLATED)	2
8	1328	WASHER (NYLON)	5
9	1691	WASHER (PLATED)	5
10	1664	POPPET GASKET (NEOPRENE)	1
11	1665	COVER GASKET (NEOPRENE)	1

ITEM	PART NUMBER	DESCRIPTION	QTY.
12	6347	DOME GASKET (NEOPRENE)	1
13	1670	WASHER (PLATED)	2

DOME ASSY / PRESSURE CHART		
ASSY P/N	DOME P/N	DESCRIPTION
HC1120	1680	DOME ASSEMBLY (1 OZ.)
HC1110	3797	DOME ASSEMBLY (2 OZ.)
HC1111	3800	DOME ASSEMBLY (4 OZ.)
HC1112	3801	DOME ASSEMBLY (5 OZ.)
HC1113	3802	DOME ASSEMBLY (6 OZ.)

Note: #1680 Dome is cast aluminum while all other domes are plated steel

